

SPECIFICATIONS

Input Rating

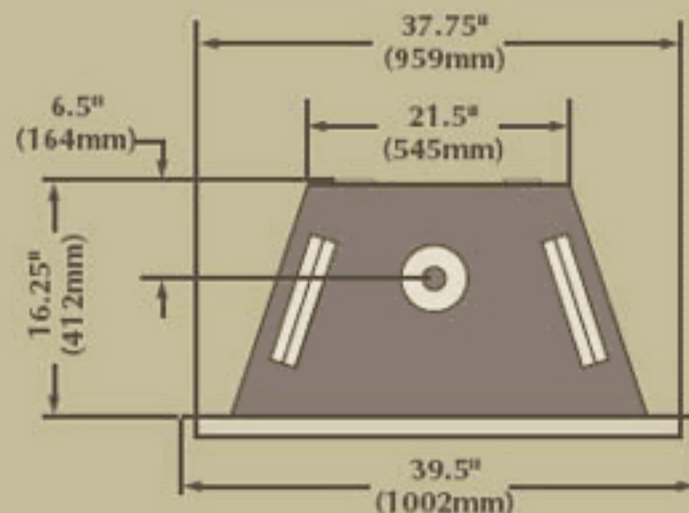
Natural gas 20,100 - 30,000 BTU/HR
5.9 - 8.8 KW/HR

Propane 23,000 - 30,000 BTU/HR
6.7 - 8.8 KW/HR

Tested and approved to Canadian and American standards, ANSI Z21.88b-2003/CSA 2.33b-2003 and CAN/CGA-2.17-m91

Lifetime warranty on specific items.
Please ask your dealer for details.

TOP VIEW



SIDE VIEW

